

OWNER'S MANUAL

WIRE CONTROLLER OF AIR CONDITIONER

MODEL: T(DP/B-1)KJR(-E

Please read this manual carefully before operation and keep it for future reference.

CONTENTS



1.SAFETY PRECAUTION-----	1
2.SUMMARIZE-----	2
3.FUNCTION SUMMARY-----	2
4.NAME AND FUNCTION OF INDICATORS ON THE WIRE CONTROLLER-----	3
5.INSTALLATION METHOD-----	5
6.NAME AND OPERATION OF THE BUTTON ON THE WIRE CONTROLLER-----	6
7.USING METHOD -----	9
ñ AUTOMATIC OPERATION -----	9
ñ COOLING/HEATING/FAN ONLY OPERATION-----	9
ñ DRY OPERATION -----	9
ñ TIMER SETTING-----	10
ñ TIMER ON AND TIMER OFF BOTH-----	10
ñ CHANGE TIMER-----	11
8.TECHNICAL INDICATION AND REQUIREMENT -----	11

SAFETY PRECAUTION



Please read the safety precaution carefully before using. Do observe the following safety precautions, for they are very important.

- Before you come to the text, please be familiar with the following markers and icons, and comply with the precautions.

■ Markers

Markers	Indication
 WARNING	The sign shows the risk of death or serious injury will be caused due to the wrong operation.
 CAUTION	The sign shows the risk of injury or the damage to the property will be caused due to the wrong operation.

■ Icons




Icons	Indication
	FORBID Followed by the detailed illustration
	ENFORCE Followed by the detailed illustration

NOTE :

- Injury means causing from the harm, burn and electrical shock, but not serious for the hospitalization.
- The damage of material means the disrepair of property and material.



WARNING

INSTALLATION WARNING	 Installation commitment	<p>Please entrust the dealer or the professional person to do the installation.</p> <p>Users can't install the units by themselves, or the electrical shock or fire may be caused.</p>
OPERATION CAUTION	 FORBID	<p>Do not spray inflammable liquid on the Wire Controller, or fire may be caused.</p> <p>Do not operate with wet hands. Do not let water go into the Wire Controller, or electric shock hazard may have.</p>
MOVE AND REPAIR CAUTION	 FORBID	<p>If you want to move or re-install your Wire Controller, please contact with local dealer.</p> <p>Do not disassemble your Central Controller at will. If it is needed, please contact the local dealer.</p> <p>A random disassembly may cause abnormal operation or heating, which may result in fire.</p>

SUMMARIZE

Usage condition:

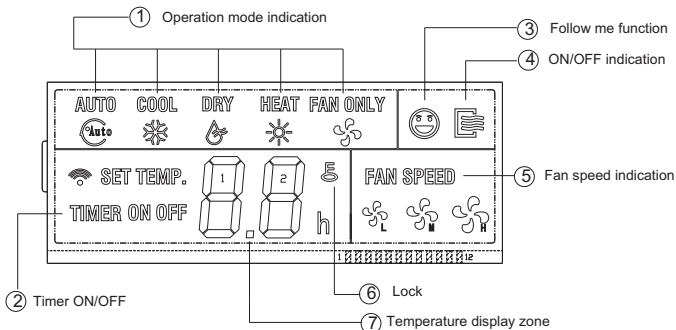
- 1.Power supply:5V DC.
- 2.Operation temperature:-15j-+43j.
- 3.Operation humidity:40%-90%,RH.
- 4.Safety comply to:
GB706.32-2004,GBT7725-2004.

FUNCTION SUMMARY

Main function:

- 1.Connecting to indoor unit by A,B,C,D,E termina.;
- 2.Button setting action mode.
- 3.LCD display.
- 4.Timer for rest time.

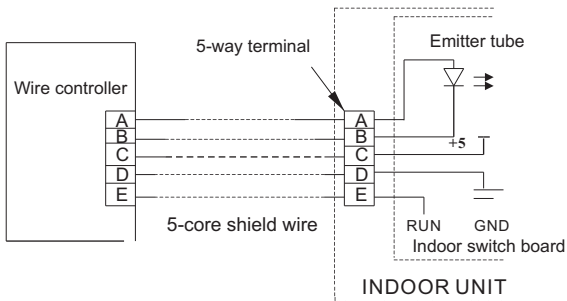
NAME AND FUCTION OF INDICATORS ON THE CONTROLLER



1. Operation mode indication: When press "MODE" button, the following mode can be selected in circle.
Auto → Cool → Dry → Heat → Fan only → Auto.
For cooling only model, heat mode is skipped.
2. Timer : When adjust setting on time or only on time is set, the "ON" is lighted. When adjust setting off time or only off time is set , the "OFF" is lighted. If on and off timer are both set, the "ON" and "OFF" are both lighted.
3. Follow me function: There is a temperature sensor inside the wire controller, after setting temperature, it will compare the two temperatures, and the space of wire controller will be the same as setting temperature. It is available under cooling, heating, auto mode.
4. ON/OFF indication : When it is on, the icon display, otherwise it is extinguished.

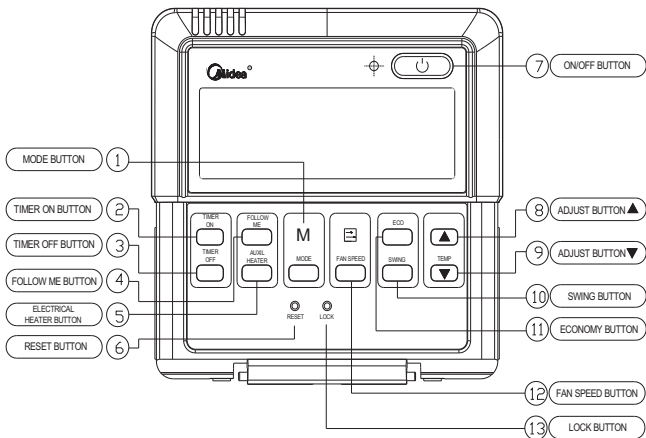
5. Fan speed indication : There are four fan modes : low, middle, high, auto. For some models, no middle fan then the middle fan is seen as high speed.
6. Lock: When the "LOCK" button is pressed, the icon appears and other buttons are unable, press again, the icon disappears.
7. Temperature display zone : Generally it displays setting temperature, it can be adjusted by pressing temperature button \downarrow and \uparrow . But in fan mode, no display here.

INSTALLATION METHOD

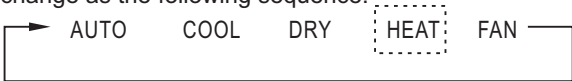


When a wire controller is needed, a small 5-way terminal should be added, fix an infrared emitter with gumwater near the receiver on the switch board. Connect its anode and cathode to A and B, and +5V, GND, RUN to C, D, E on the switch board.

NAME AND OPERATION OF THE BUTTON ON THE WIRE CONTROLLER



1.Mode botton:When press this botton,the operation mode change as the following sequence:

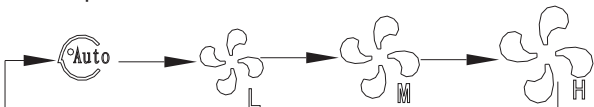


Remark : For the cooling only model, the heating mode is skipped.

2.Timer on button : Press this button, timer on function is active. Then every press, the time increase 0.5h, after 10h, 1h increasement after each press. If cancel this

- Function, just set it to "0.0" .
3. Timer off button: Press this button, timer off function is active. Then every press, the time increase 0.5h, after 10h, 1h increasement after each press. If cancel this function, just set it to "0.0" .
 4. Follow me button: When under cool, heat and auto mode, press this button, follow me function is active. Press again, this function is ineffective.
 5. Electrical heater button : If press this button in heat mode, electrical heater function become ineffective.
 6. Reset button (hidden): Use a 1mm stick to press in the little hole , then the current setting is canceled . The wire controller enter into original state.
 7. ON/OFF button: When in off state, press this button, the indicator is on, the wire controller enter into on state, and send setting information to in door Pcb . When in on state, press this button, the indicator is off, and send instruction. If timer on or timer off has been set, it cancel this setting then send instruction to stop the machine.
 8. Adjust button ▲ : Set indoor temperature up. If press and hold on, it will increase at 1 degree per 0.5 second.
 9. Adjust button ▼ : Set indoor temperature down . if press and hold on, it will decrease at 1 degree per 0.5 second.
 10. Swing button: First press, start swing function; second press, stop swing. (Match to some model with swing function).

11. Economy operation button: press this button, the indoor unit operates in economy mode, press again, exit this mode (it may be ineffective for some models)
12. Fan speed button: press this button consecutively, the fan speed will circle as follow:



13. Lock button(hidden): When you push the LOCK button, all current settings are locked in and the wire controller does not accept any operation except that of the LOCK button. Use the lock mode when you want to prevent setting from being changed accidentally or play fully. Push the LOCK button again when you want to cancel the LOCK mode.

⌘ **AUTOMATIC OPERATION**

Connect to power,indoor operation lamp flash.

- 1.Press "MODE" button, select "AUTO " ;
- 2.Press the button"▲" and "▼" , set temperature you want, generally it is among 17j~30j;
- 3.Press " ON/OFF" button , operation lamp is on, the air-conditioner work in auto mode, indoor fan is auto, and can not be changed. Auto is displayed on LCD. Press ON/OFF button again to stop.
- 4.Economy operation is valid in auto mode.

⌘ **COOL/HEAT/FAN MODE OPERATION**

- 1.Press "MODE" button, select "COOL" , "HEAT" or "FAN ONLY" mode.
- 2.Press temperature adjust button to select setting temp..
- 3.Press "FAN SPEED" button to select high/mid/low/auto.
- 4.Press "ON/OFF" button, indoor unit operation lamp on, it works in selected mode. Press "ON/OFF" button again,it stops to work.

Remark:When in fan mode, no temperature can be set.

⌘ **DRY OPERATION**

- 1.Press " MODE " button,select " DRY " mode.
- 2.Press temperature adjust button to select setting temp.
- 3.Press " ON/OFF " button, indoor unit operation lamp on, it works in dry mode. Press ON/OFF button again, it stops to work.
- 4.In dry mode, economy operation and fanmode are ineffective.

j Timer setting

Timer on only:

1. Press " TIME ON " button, it display "SET" on LCD, and display " H " and "ON" , it is waiting for timer on setting.
2. Press " timer " on button repeatedly to adjust time setting.
3. If press this button and hold on, the time will increase at 0.5h, after 10h, it increase at 1h.
4. After setting 0.5 second, the wire controller send timer on information, it is finished.

Timer off only:

1. Press "TIME OFF " button, it display "SET" on LCD, and display " H " and ON, it is waiting for timer on setting.
2. Press "TIME OFF" button repeatedly to adjust time setting.
3. If press this button and hold on , the time will increase at 0.5h, after 10h, it increase at 1h.
4. After setting 0.5 second, the wire controller send timer off information, it is finished.

ñ TIMER ON AND TIMER OFF BOTH

1. Set timer on time as the corresponding step 1 and 2.
2. Set timer off time as the corresponding step 1 and 2.
3. Timer off time must be longer than timer on time.
4. 0.5 second after setting, the wire controller send information. the setting is finished.

¶ CHANGE TIMER

If there is a need of changing timer time, press corresponding button to revise it. If cancel timer, change timer time to 0.0.

Note:the timer time is relative time,that is delay after setting time(i,e : setting time is 8:05 A,M). So when timer is set,the standard time can not be adjusted.

TECHNICAL INDICATION AND REQUIREMENT

- 1.EMI and EMC comply to CE,
- 2.Electrical safety comply to:
GB4706.32-2004,GB/T7725-2004

MDV06V-002aW

2200010068